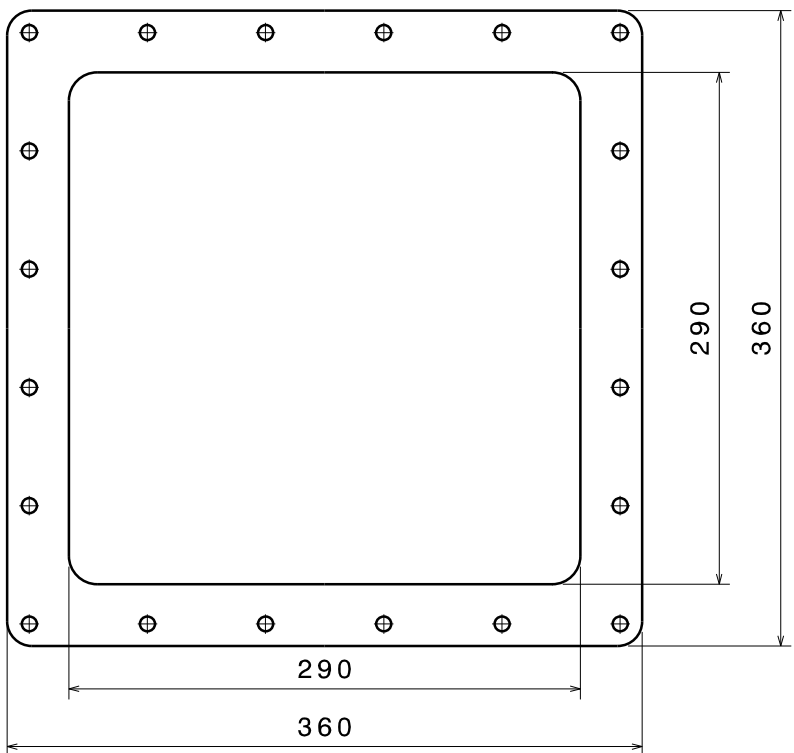
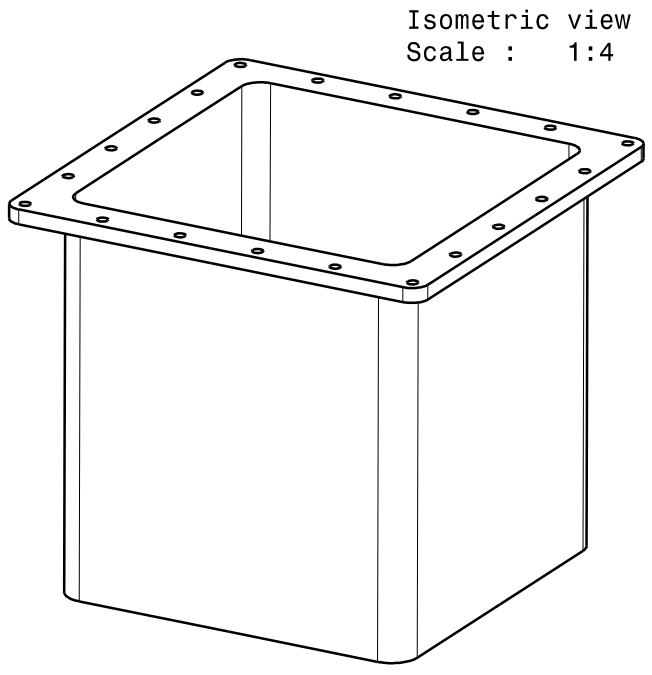
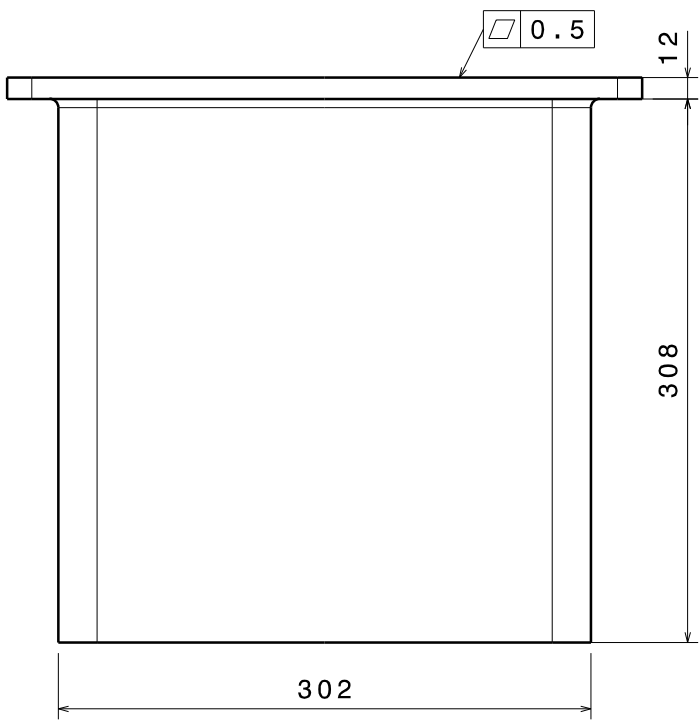


D C B A

8
7
6
5
4
3
2
1

8
7
6
5
4
3
2
1



NOTA :
Dimensions exprimées en mm.
Matière : résine polyester isophthalique + fibre de verre.
! Attention aux modifications d'échelle lors de l'impression !
En cas de doute, merci de nous contacter.

NOTE :
Dimensions in mm.
Material : isophthalic polyester resin + glass fibre
! Be careful to scales modification when printing !
IN CASE OF DOUBT, PLEASE ASK.

This drawing is our property. It can't be reproduced or communicated without our written agreement.		MAX POWER			
DRAWN BY SB		DRAWING TITLE PUITS VIP250 - DIMENSIONS GENERALES VIP250-MOUNTING BASE-GENERAL DIMENSIONS			
DATE 22/04/2009		SIZE A3	DRAWING NUMBER VP112000		REV A
		SCALE 1:3	WEIGHT(kg) XXX	SHEET 1/1	

D A